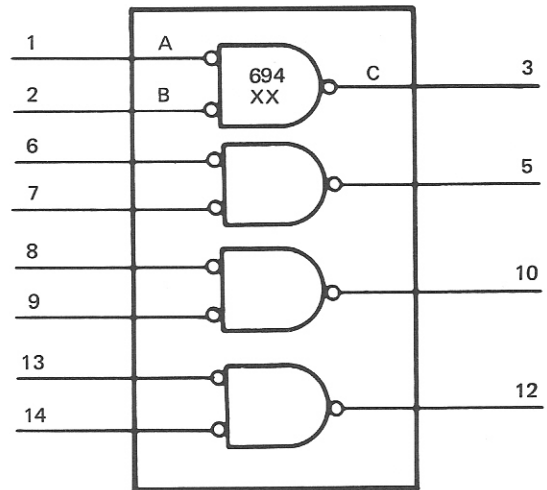
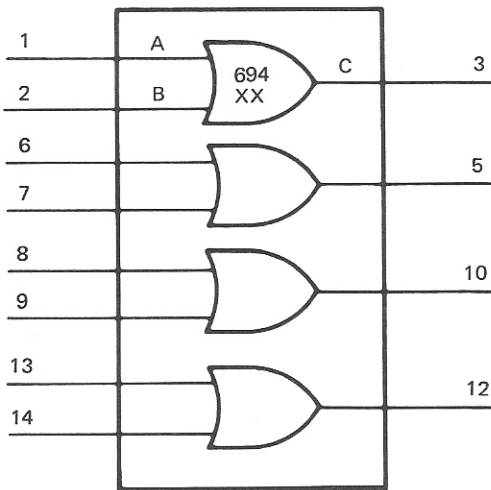


QUAD 2-INPUT AMP

007-1669401

The 694 is essentially a two input OR gate. One input is used as a data input the other is the strobe input. The normally desired output of the 694 is a low signal. The only time a low is output is when both inputs are low. Unused inputs must be tied to ground.



Function Table		
Inputs		Output
A	B	C
L	L	L
L	H	H
H	L	H
H	H	H

Vcc = Pin 11
 Gnd = Pin 4

Pins 1, 7, 8, and 14 are strobe inputs (high speed).
 Pins 2, 6, 9, and 13 are logic inputs (delayed)

NOTE: Unused input pins, must be tied to ground.

Quad 2-input amp.